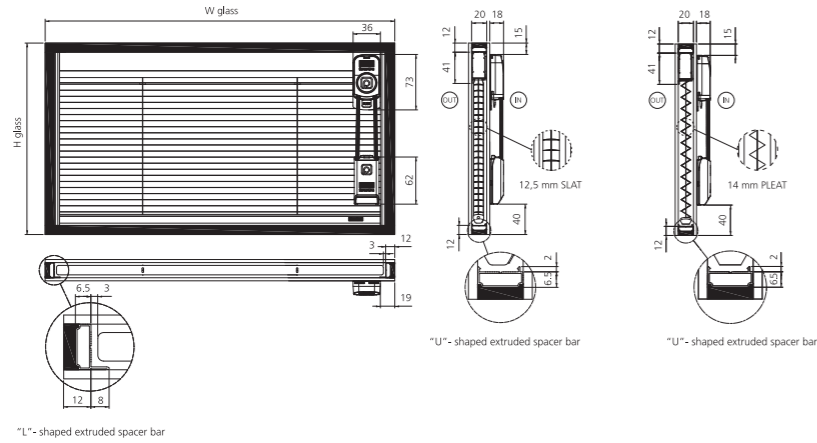
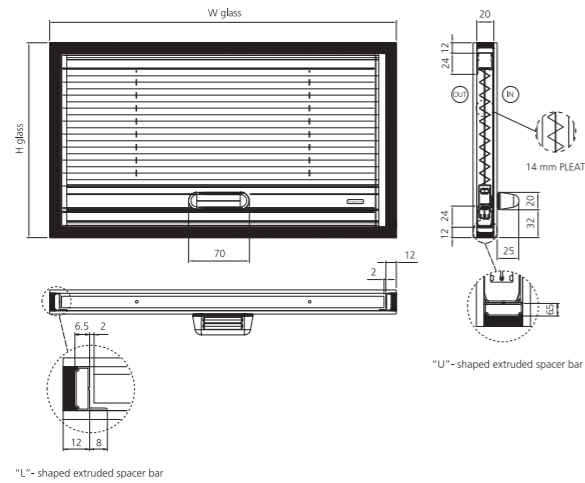


SL20C venetian and SL20C pleated



SL20S pleated



Colours

Venetian blind colours



Pleated blind colours



Optional colours - silver metallised outside



Transparent - Semitransparent - Opaque fabric with silver coloured coating on outside (high performance)

SYSTEM3

Blind System

SYSTEM3

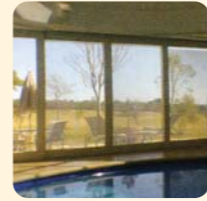
Residential Double Glazing
Blind System

Please contact us for further information:

System3 Ltd. Denton Hall Farm Road, Denton, Manchester M34 2SY

Tel: 0161 337 3000 Fax: 0161 337 0222 E-mail: enquiries@system3.ltd.uk Web: www.system3.ltd.uk

Realisations



Feasibility Tables

		Width cm															
		30	35	40	45	50	55	60	65	70	75	80	85	90	95	100	
Venetian Blind	Height cm	H	H	H	H	H	H	H	H	H	H	H	H	H	H	H	
	30	H	H	H	H	H	H	H	H	H	H	H	H	H	H	H	
	40	H	H	H	H	H	H	H	H	H	H	H	H	H	H	H	
	50	H	H	H	H	H	H	H	H	H	H	H	H	H	H	H	
	60	H	H	H	H	H	H	H	H	H	H	H	H	H	H	H	
	70	H	H	H	H	H	H	H	H	H	H	H	H	H	H	H	
	80	H	H	H	H	H	H	H	H	H	H	H	H	H	H	H	
	90	H	H	H	H	H	H	H	H	H	H	H	H	H	S	S	
	100	H	H	H	H	H	H	H	H	H	H	H	H	H	S	S	
	110	H	H	H	H	H	H	H	H	H	H	S	S	S	S	S	
	120	H	H	H	H	H	H	H	H	H	S	S	S	S	S	S	
	130	H	H	H	H	H	H	H	S	S	S	S	S	S	S	S	
	140	H	H	H	H	H	H	S	S	S	S	S	S	S	S	S	
	150	H	H	H	H	H	S	S	S	S	S	S	S	S	S	S	
	160	H	H	H	H	S	S	S	S	S	S	S	S	S	S	S	
	170	H	H	H	S	S	S	S	S	S	S	S	S	S	S	S	
180	H	H	S	S	S	S	S	S	S	S	S	S	S	S	S		
190	H	S	S	S	S	S	S	S	S	S	S	S	S	S	S		
200	H	S	S	S	S	S	S	S	S	S	S	S	S	S	S		

H High Speed S Standard Speed

		Width cm															
		30	35	40	45	50	55	60	65	70	75	80	85	90	95	100	
Pleated Blind	Height cm	H	H	H	H	H	H	H	H	H	H	H	H	H	H	H	
	30	H	H	H	H	H	H	H	H	H	H	H	H	H	H	H	
	40	H	H	H	H	H	H	H	H	H	H	H	H	H	H	H	
	50	H	H	H	H	H	H	H	H	H	H	H	H	H	H	H	
	60	H	H	H	H	H	H	H	H	H	H	H	H	H	H	H	
	70	H	H	H	H	H	H	H	H	H	H	H	H	H	H	H	
	80	H	H	H	H	H	H	H	H	H	H	H	H	H	H	H	
	90	H	H	H	H	H	H	H	H	H	H	H	H	H	H	H	
	100	H	H	H	H	H	H	H	H	H	H	H	H	H	H	H	
	110	H	H	H	H	H	H	H	H	H	H	H	H	H	H	H	
	120	H	H	H	H	H	H	H	H	H	H	H	H	H	H	H	
	130	H	H	H	H	H	H	H	H	H	H	H	H	H	H	H	
	140	H	H	H	H	H	H	H	H	H	H	H	H	H	H	H	
	150	H	H	H	H	H	H	H	H	H	H	H	H	H	H	H	
	160	H	H	H	H	H	H	H	H	H	H	H	H	H	H	H	
	170	H	H	H	H	H	H	H	H	H	H	H	H	H	H	H	
180	H	H	H	H	H	H	H	H	H	H	H	H	H	H	H		
190	H	H	H	H	H	H	H	H	H	H	H	H	H	H	H		
200	H	H	H	H	H	H	H	H	H	H	H	H	H	H	H		

H High Speed

Benefits

- Manually operated for precise control
- Blinds can be raised or lowered to suit the weather conditions
- Blinds can be tilted to regulate precisely the level of light and heat entering the home
- Unbeatable protection against glare and build - up of heat
- Cannot get dirty or dusty
- Slats cannot be damaged
- Provides complete privacy
- Can be combined with a range of toughened / high performance glasses
- Choice of 9 coloured slats / 8 pleated fabrics (see colour charts)

Operation

Manual operation with continuous cord loop Motorised - with remote control on request

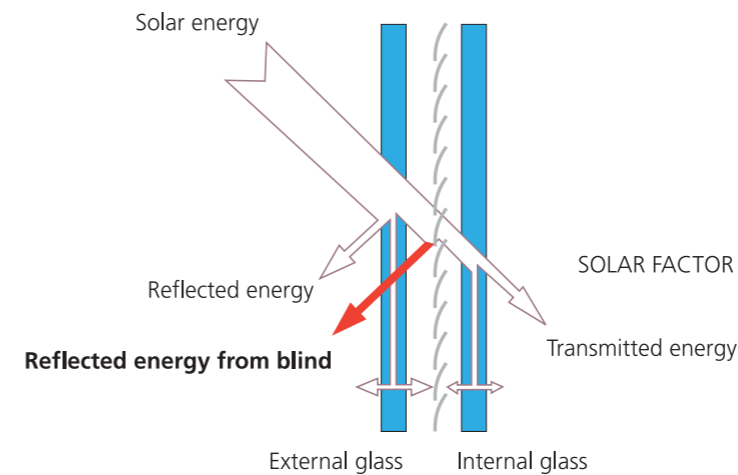
Applications

- Suitable for all vertical window applications
- Ideal for conservatories, kitchens and bathrooms as well as folding / sliding door systems

Features

width (mm) height (mm)
 300 - 1.000 300 - 2.000
 4 mm internal glass only
 Sizes outside above dimensions available on request

Solar shading properties



A double glazing unit with an integrated ScreenLine® blind is an excellent screen against solar radiation and offers the possibility to quickly and easily adjust the internal environmental lighting level. Due to the glass transparency, the use of normal double glazing units is often not enough to guarantee correct control of solar energy.

A ScreenLine® integrated system, on the contrary, filters the light transmission and affects its value by the tilting of the slats (in case of venetian blinds) or by lowering the blind (in case of pleated blinds). The heat and visual comfort are improved according to the various seasons.